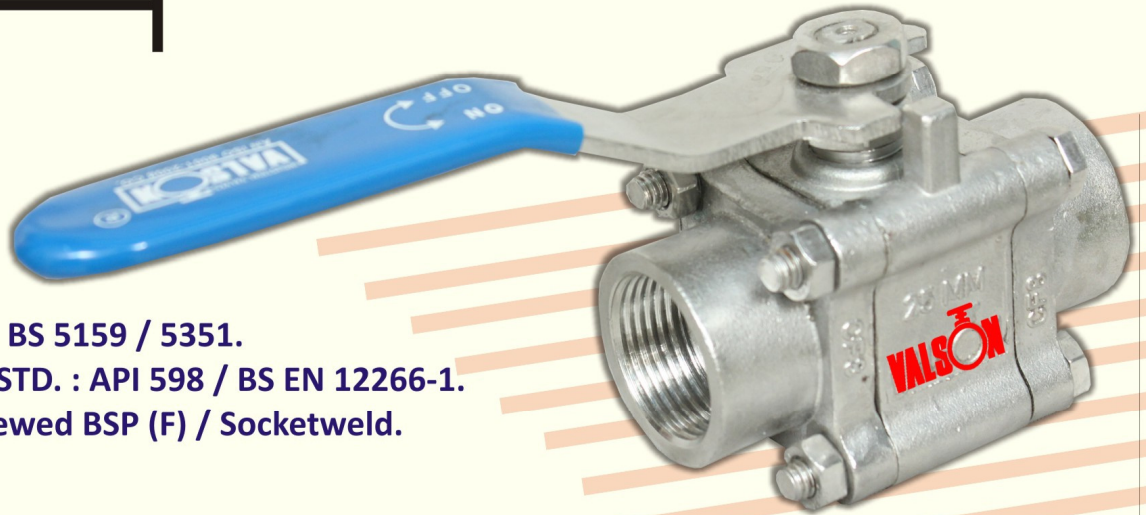


**S/STEEL 304/316**

**BALL VALVE  
 SCREWED / SOCKETWELD  
 800# (I.C.)**



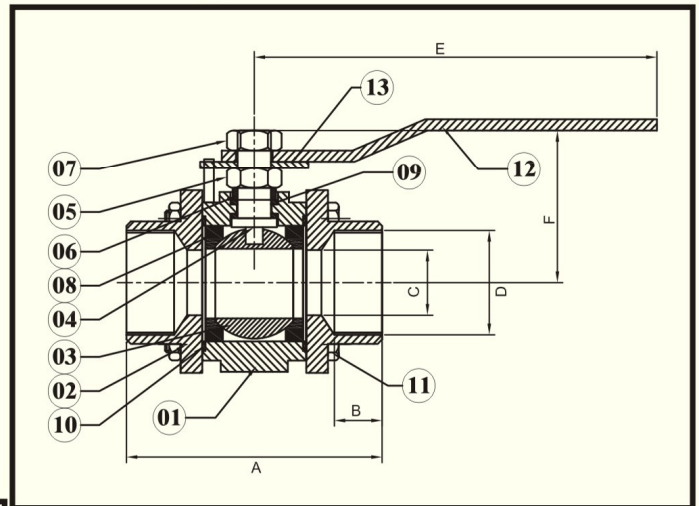
**Technical Data :**

Manufacturing STD. : BS 5159 / 5351.

Testing & Inspection STD. : API 598 / BS EN 12266-1.

End Connection : Screwed BSP (F) / Socketweld.

SR. NO.	DESCRIPTION	MATERIAL
1.	Body	ASTM A 351 Gr. CF8 / CF8M.
2.	Body Connector	ASTM A 351 Gr. CF8 / CF8M.
3.	Ball	S.S. 304/316.
4.	Stem	S.S. 304/316.
5.	Gland Nut	S.S. 202.
6.	Gland Bush	PTFE (Teflon).
7.	Lock Nut	S.S. 202.
8.	Seat Ring	(G.F.) PTFE.
9.	Stem Seal	PTFE (Teflon).
10.	Body Sealent Ring	PTFE (Teflon).
11.	Bolt & Nut	S.S. 304.
12.	Lever	S.S. 202.
13.	Locking Washer	S.S. 202.



SIZE		A	B	C	D	D	E	F
INCH	M.M.	Fl TO Fl	Socket Length	Hole	Socket Thds.	Socketweld	Lever	Height
1/2"	15	67	15.5	9.5	1/2" BSP	21.34	131	38.75
3/4"	20	79	18	13	3/4" BSP	26.67	158	41
1"	25	97	21	29	1" BSP	33.4	158	54
1.1/2"	40	118	22	29	1.1/2" BSP	48.26	185	70
2"	50	128	21	37	2" BSP	60.33	185	73.51

ALL DIMENSIONS ARE IN M.M.

SERVICE RATING & TEST PRESSURE			
CLASS	HYD. TEST PRESS.		AIR TESTED
	BODY	SEAT	
800#	104 kg/cm <sup>2</sup>	70 kg/cm <sup>2</sup>	7kg/cm <sup>2</sup>

Mfg :-

**VALSON VALVES MFG. CO. AHMEDABAD (GUJ.)**

Visit us : [www.valsonvalves.com](http://www.valsonvalves.com)